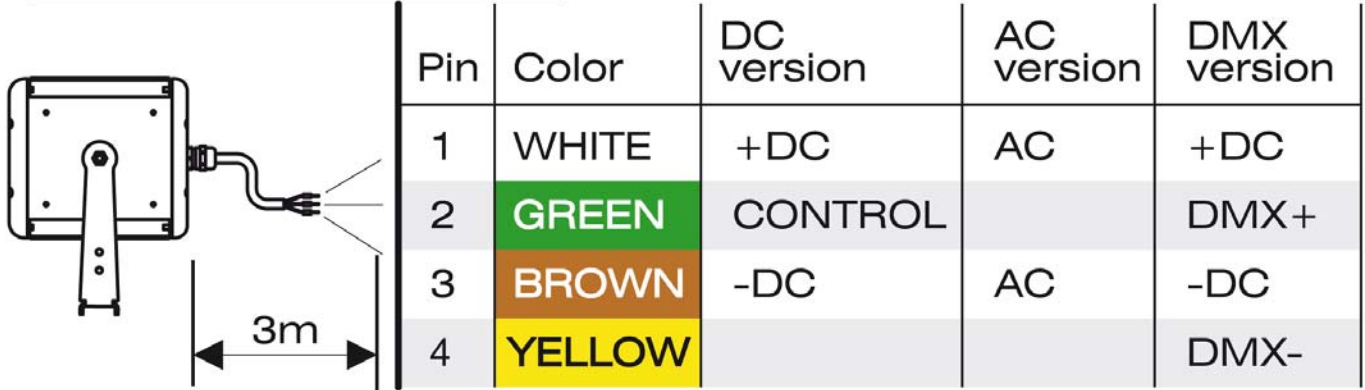




Wir sind heller Licht & Design

Electrical connection



Other cable lengths on request

Power supply:

DC 15V...35V

AC 12V...24V

Current consumption:

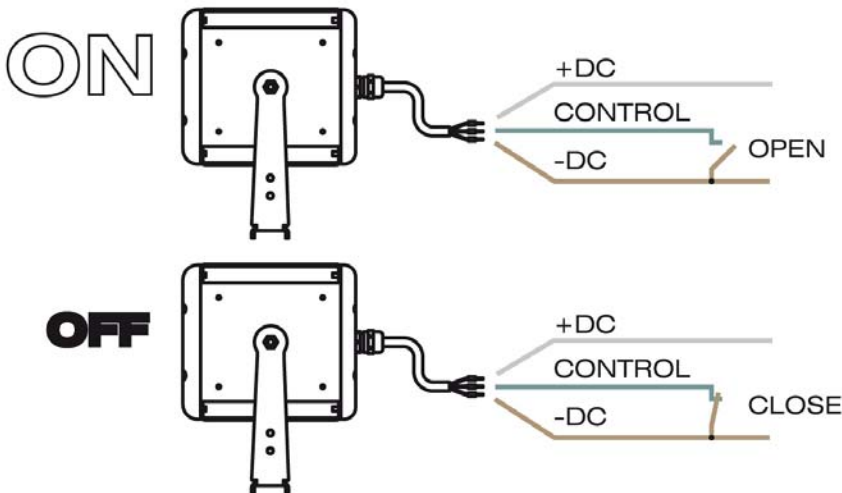
500mA @24VDC

NOTE:

For overvoltage protection 39V use fused power line.

PWM dimming control

NOTE: For AC powered version the dimming control not supported



Barndoor accessories

ordered separetly

