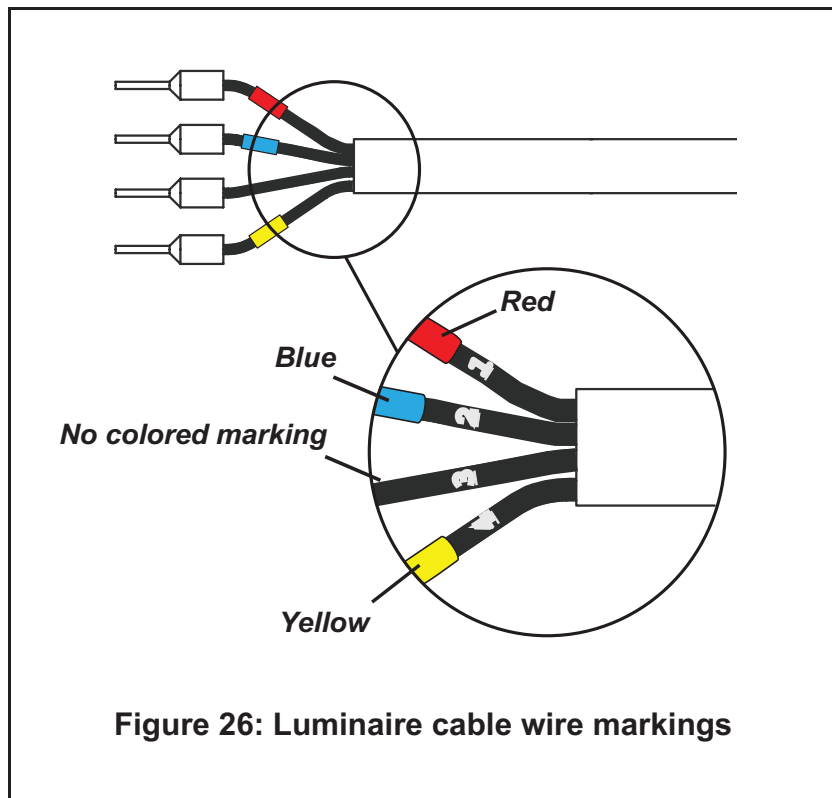




## DMX Anschluss

### Connecting luminaires

The conductors in the Luminaire cable are shown in Figure 26 and pinout is listed in Table 2.



Pin	Signal	Wire marking
1	30 VDC +ve (hot)	Black wire, marked 1, red ring
2	30 VDC -ve (cold)	Black wire, marked 2, blue ring
3	Data +ve (hot)	Black wire, marked 3, no ring
4	Data -ve (cold)	Black wire, marked 4, yellow ring

**Table 2: Luminaire cable wire identification**